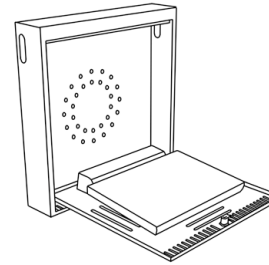


Safety Verticalbox

Part no 428-LU50

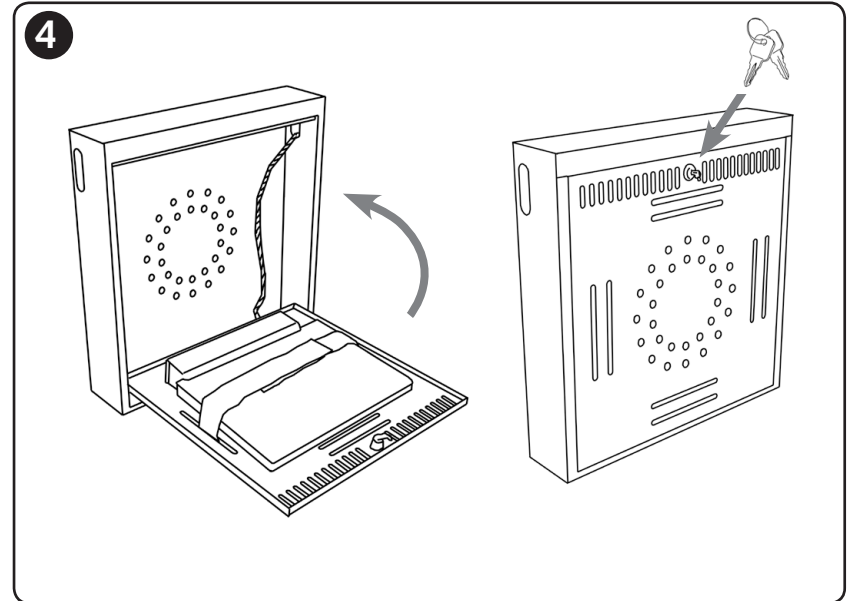
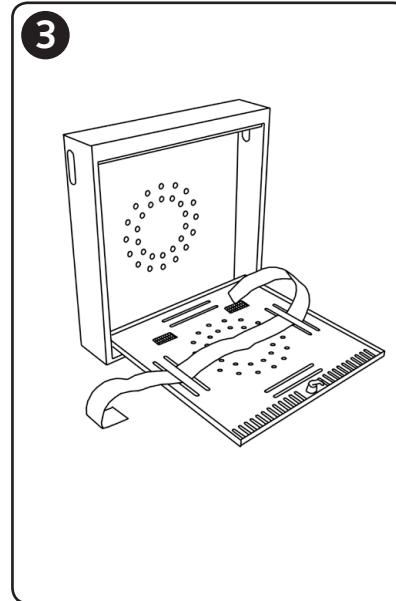
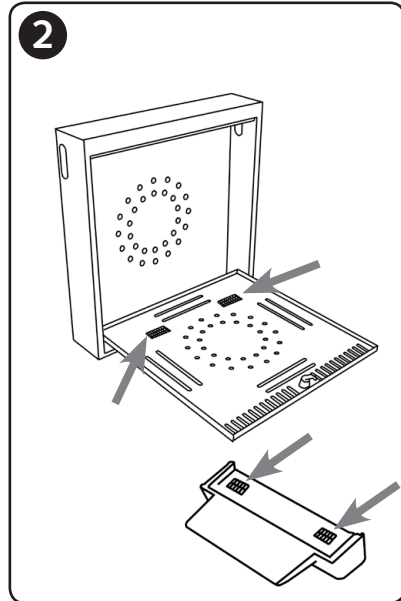
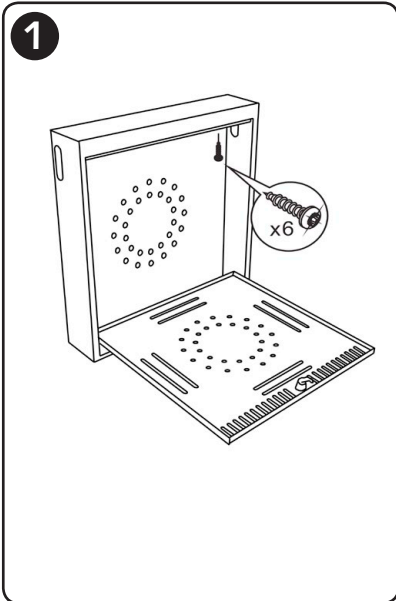
Optional assembly

- 427-WA10 LiftSystem Sleigh
- 430-WA13 LiftSystem Track, 300 mm
- 430-WA11 LiftSystem Track, 400 mm
- 430-WA16 LiftSystem Track, 600 mm

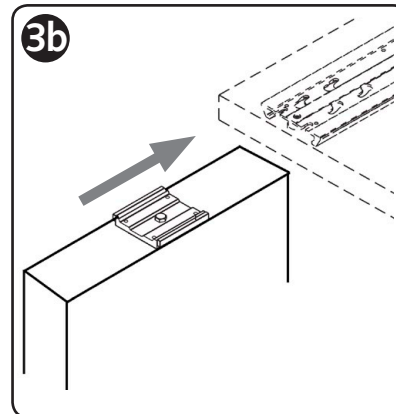
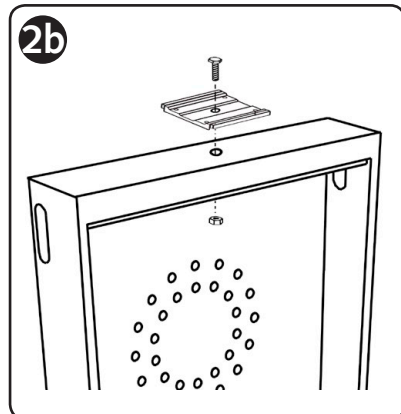
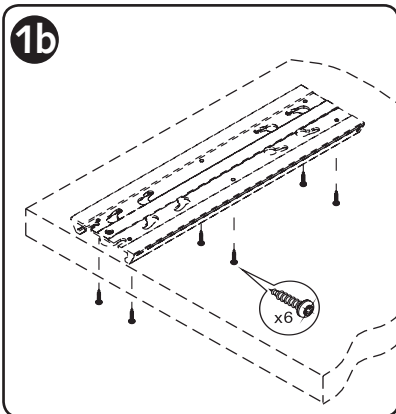


Package contains:

- 1 x
- 2 x
- 1 x
- 6 x
- 4 x
- 1 x



Optional assembly



IMPORTANT Usage

