

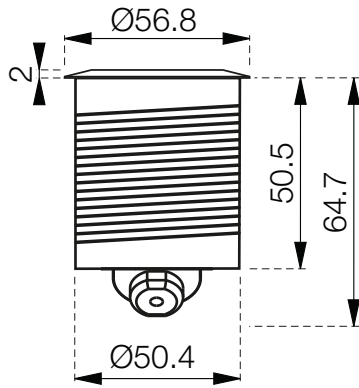


□ 935-PM51W

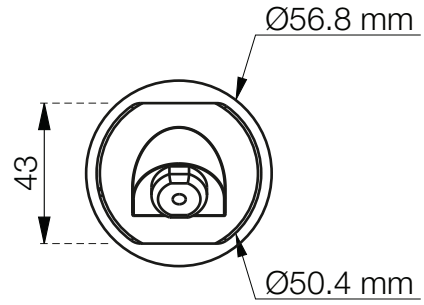
■ 935-PM51

Powerdot Mini - 2 USB Charger ports (5V 2.4A)

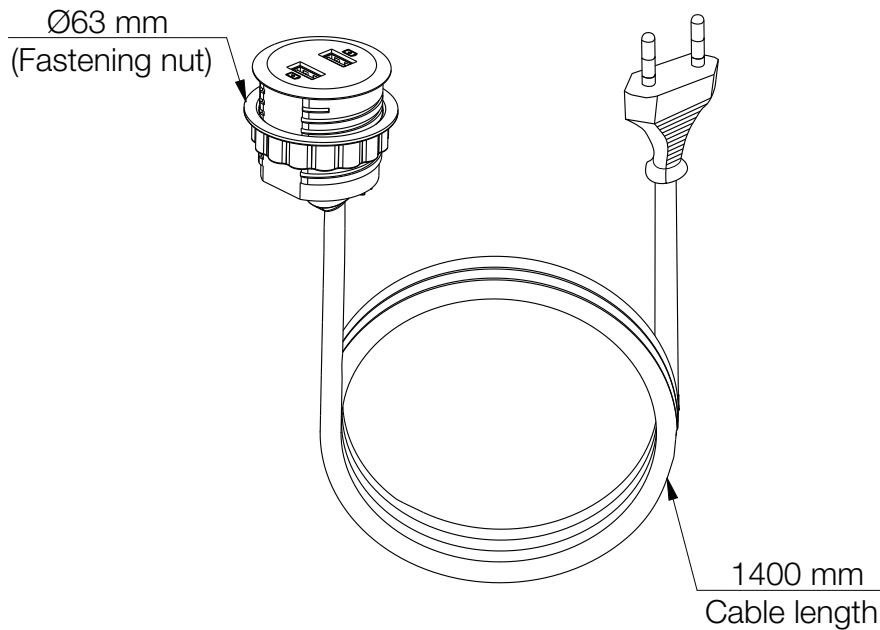
Front View (Grommet)



Bottom View (Grommet)



Oriented view (Grommet, nut & cable)



Maximum table thickness:
Recommended hole cut:

30 mm
Ø51 mm

Revised
191106