

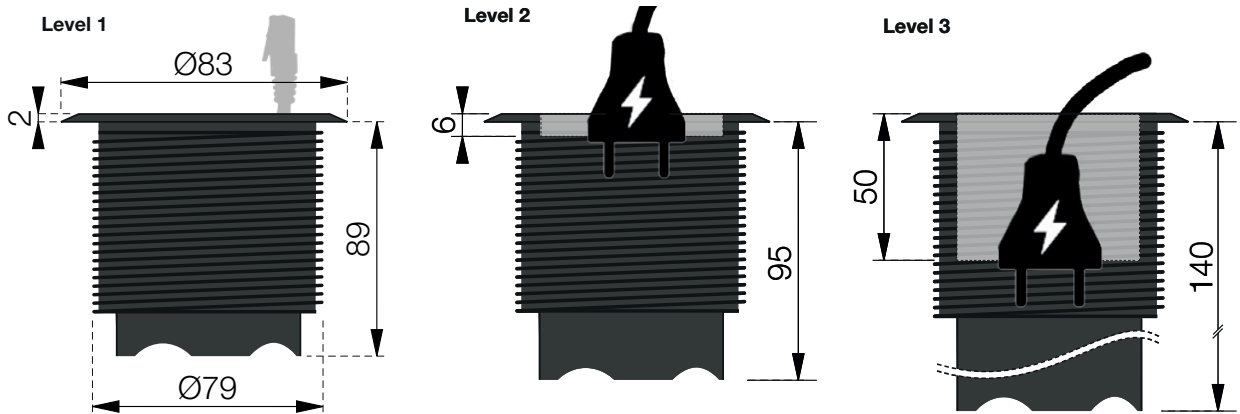


□ 935-PD14W-GST

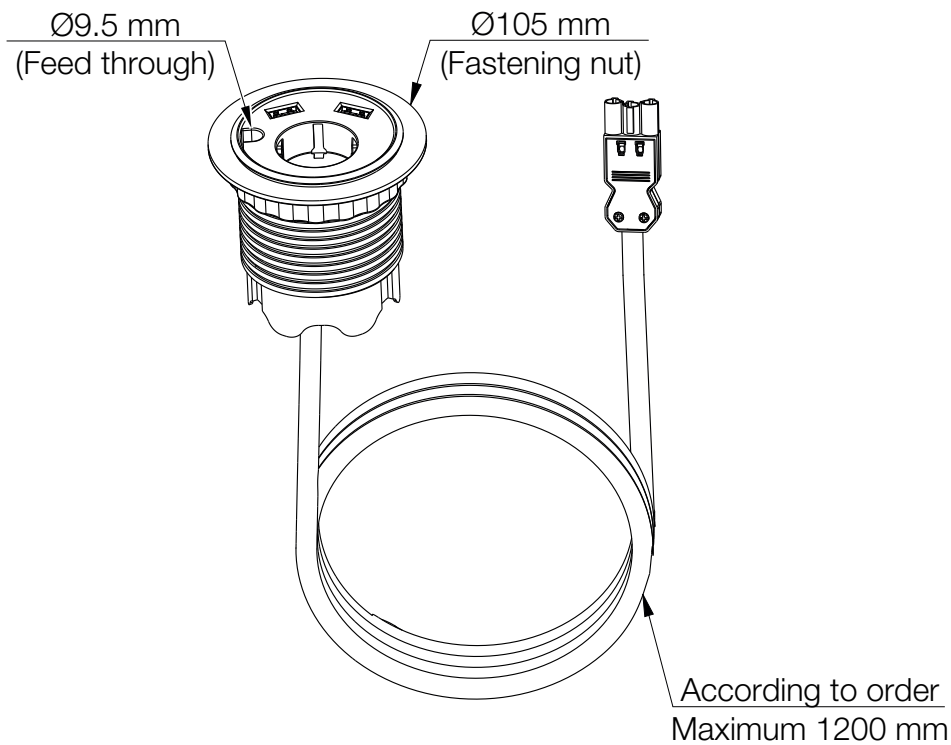
■ 935-PD14-GST

Powerdot - 1 GST18i3, 2x USB-chargers (5V 2A), 1 Feed through (Ø9.5 mm)

Front view (Grommet)



Oriented view (Grommet, nut & cable)



Maximum table thickness:
Recommended hole cut:

55 mm
Ø79 mm

Revised
200218