

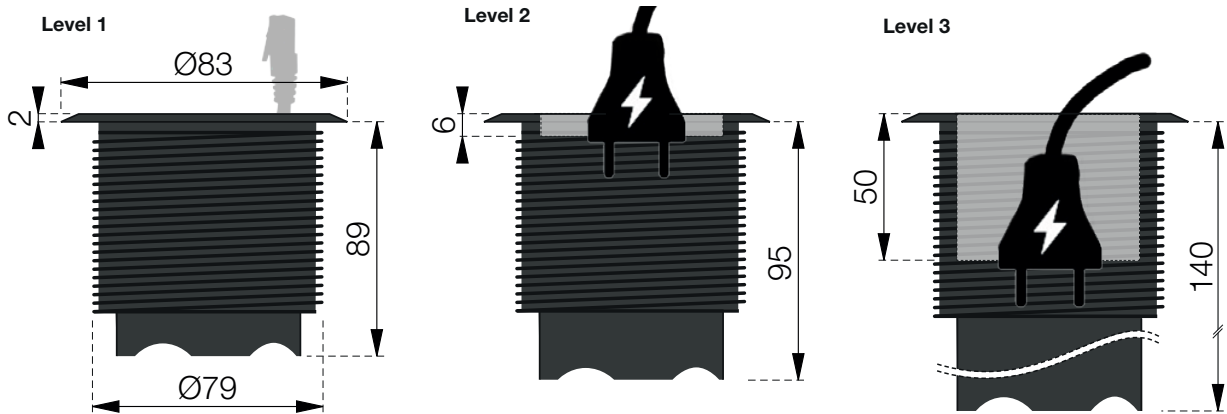


□ 935-PD12W-GST

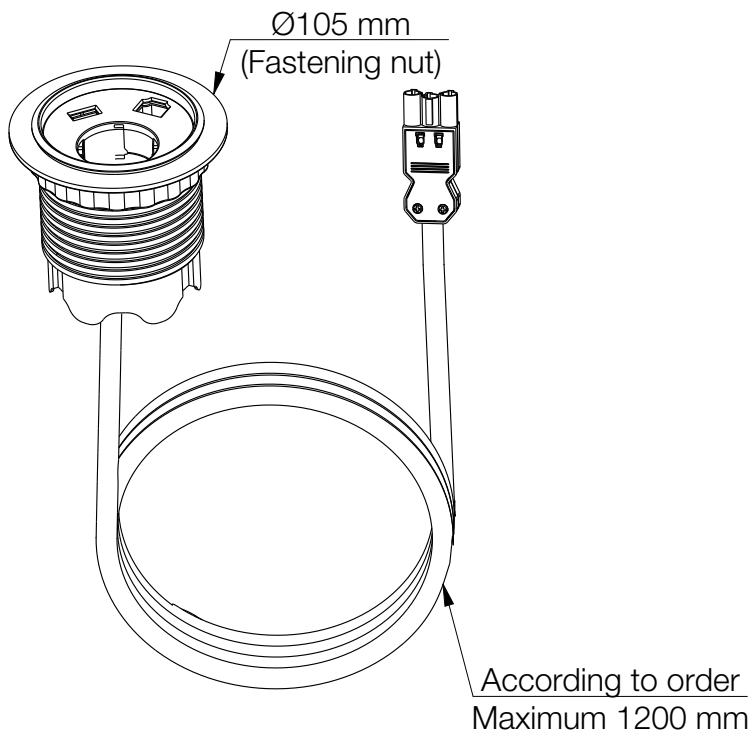
■ 935-PD12-GST

Powerdot - 1 GST18i3, 1 Data, 1 USB Charger (5V, 2.1A)

Front view (Grommet)



Oriented view (Grommet, nut & cable)



Maximum table thickness:
Recommended hole cut:

55 mm
 $\varnothing 79$ mm