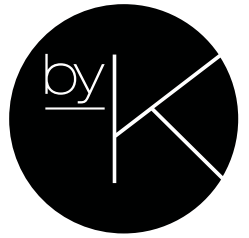
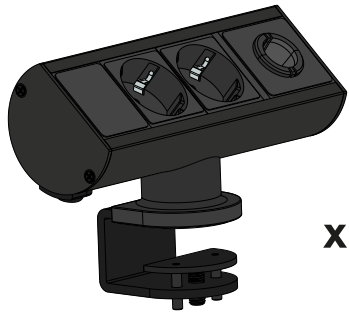


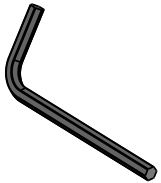
Axessline Desk ■ 935-D2M0



CONTENT:

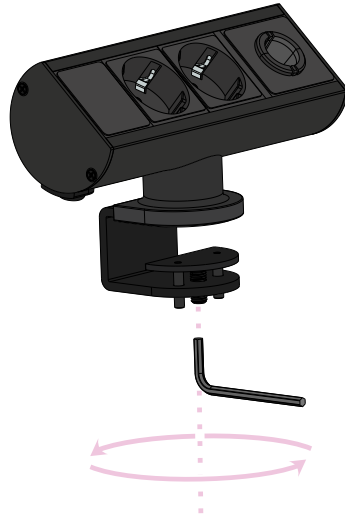


x1

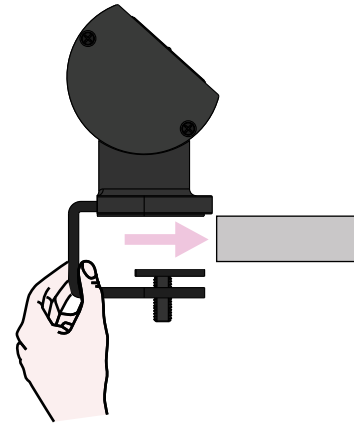


x1

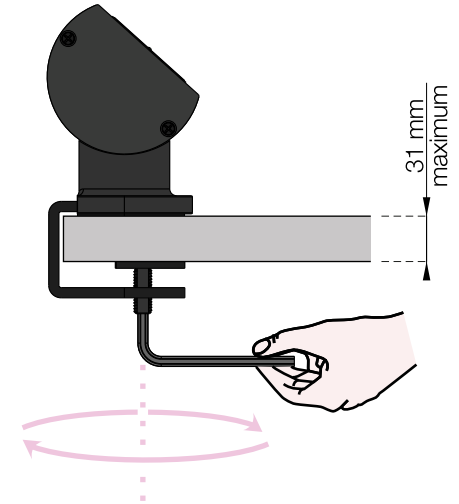
- 1** LOOSEN CLAMP
Use 4 mm Allen key to loosen the hexagon cup point screw. Turn counter-clockwise to loosen.



- 2** POSITION TO EDGE OF TABLE
Position the clamp so that the edge of the table top touches the edge of the clamp.

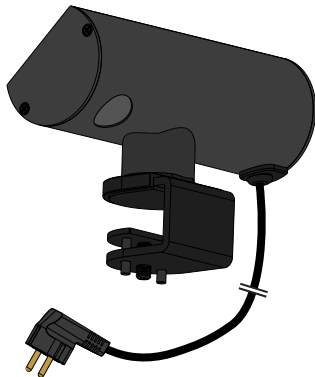


- 3** FASTEN CLAMP
Use 4 mm Allen key to tighten the hexagon cup point screw. Turn clockwise to tighten and ascertain that the product does not move if pushed or pulled.

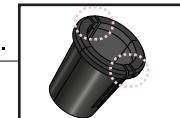
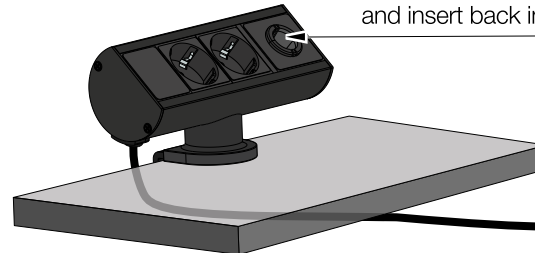


- 1 Feed-through (Ø10 mm)

- 2 Power sockets (Type F)



- 4** PLUG IT IN
Plug the power chord into the intended power socket, and then, the remaining cable(s) through the feed-through hole. Remove feed-through by pinching both flaps, (see illustration below), and then pulling out. Once out, sandwich the cable between the feed-through brackets. Then, close and insert back into the power outlet.



Feed-through



Schuko plug